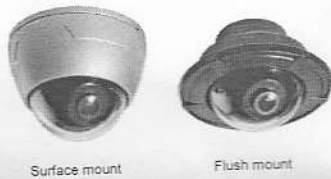


OWNER'S MANUAL

COLOR MINI VANDAL CAMERA



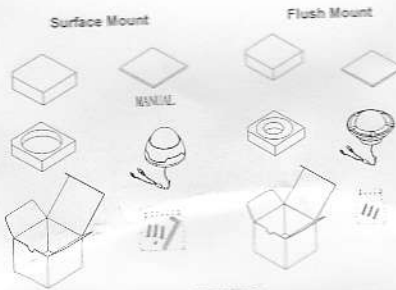
Surface mount

Flush mount

Please read these instructions carefully before operating this unit, and retain this manual for future reference.

Unpacking

Below items should be included with the mini vandal camera. Please check the items before use.  
 1) Three of installation screws  
 2) Connecting cable (Video and Power)  
 3) Owner's Manual



Precautions

- Do not install the camera in extreme temperature conditions. Do use the camera under conditions where temperatures are within -10°C to +50°C. Especially be careful for ventilation under high temperature.
- Do not drop the camera or subject them to physical shocks. It can cause malfunctions to occur.
- Do not install the camera under unstable lighting conditions. Severe lighting change or flicker can cause the camera to work improperly. Do not disassemble the camera. There are no user-serviceable parts inside it.
- Do not expose the camera to rain or spill beverage on it. If it gets, wipe it dry immediately. Liquids can contain minerals that corrode the electric parts.

Features

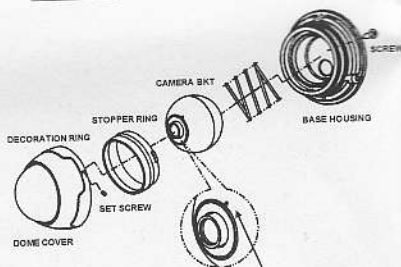
Mini-sized vandal dome cameras adopt Sony 1/3" CCD image sensor.

- 1/3 inch Sony Super HAD CCD
- 410K pixels, 550 TV lines, 0.2lux low light sensitivity
- Vandal resistance with polycarbonate dome cover and aluminum body
- 12Vdc power voltage
- Easy and quick installation

Specifications

Signal System	NTSC	PAL
Total/ Effective pixels	410K/380K	470K/440K
Pick-up Device	1/3inch Super HAD CCD(SONY)	
Lens	Fixed f=3.6mm	
Signal Process	Digital Signal Process	
Scanning System	2:1 interlace	
Sync. System	Internal	
Scanning Frequency	59.94Hz(V/D)	50Hz(V/D)
Resolution	550 TV lines(H)	
SN Ratio	More than 48dB	
Standard Illuminance	2000Lux (3200°K)	
Video Output	1.0Vpp composite(75Ω)	
Sensitivity	0.2Lux	
Shutter Speed	1/60 - 1/100,000sec	1/50 - 1/100,000sec
Power Source	DC 10V - 14V	
Power Consumption	Less than 1.0Watts	
Operating Temp.	-10°C - 50°C (14°F - 122°F)	
Storage Temp.	-20°C - 60°C (4°F - 142°F)	
Dimensions(mm)	Φ57, 88(W) x 60.5(H)	

Installation



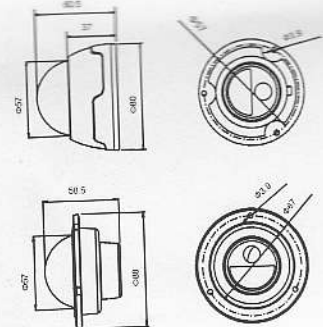
Make sure that this arrow indicates camera image direction.

Installation Of Camera  
Surface mount

- Fix the BASE HOUSING to the desired place with screws supplied.
- Adjust desired scene by turning and moving the CAMERA BRACKET.
- Put the DOME COVER over the BASE HOUSING and turn it clockwise by hand.
- To fix DOME COVER tight, use SET SCREW.

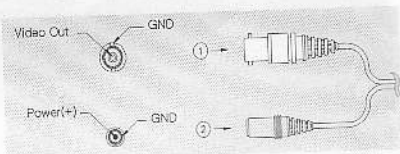


Dimensions (mm)



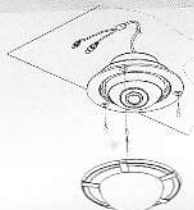
Design and specifications are subject to change without notice.

Power and Video connection



Flush mount

- Use "Ceiling processing sticker" on the desired place to install camera and make a hole on that place.
- Place the BASE HOUSING on the hole and fix it with screws supplied.
- Adjust desired scene by turning and moving the CAMERA BRACKET.
- Put the DOME COVER over the BASE HOUSING and turn it clockwise by hand.



Trouble shootings

Trouble	What to do?
No video on the monitor screen.	- Check camera and monitor power. - Check the power polarity. - Check the video cable connection.
Color rolling	- It happens when the camera is exposed between too strong and too weak light. - It isn't a faulty problem and please change the camera position.
The image on the screen is dimmer.	- Check if the lens is stained. If dirty, clean the lens with soft and clean cloth. - The image is dimmer at night than daytime. If focus is not right, adjust it at daytime.
Black and thick bars roll and too noisy on the screen.	- Check the power adaptor capacity. If the capacity is less than 300mA, please change it to over 300mA. - If there are too noise, check video coaxial cable.

The serial number of this product may be found on the top of the unit. You should note the serial number of this unit in the space provided and retain this book as a permanent record of your purchase to aid identification in the event of theft.

Model No. \_\_\_\_\_  
 Serial No. \_\_\_\_\_