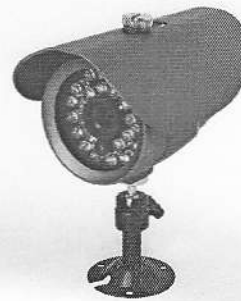


Signal System	NTSC	PAL
Total/ Effective pixels	410K/380K	470K/440K
Pick-up Device	1/3 type interline super HAD CCD(SONY)	
Lens	Fixed iris	
Lens Mount	Board	
Signal Process	Digital Signal Process	
Scanning System	2:1 interface	
Sync. System	Internal	
Scanning Frequency	59.94Hz(VD)	50Hz(VD)
Resolution	550 TV lines(H)	
S/N Ratio	More than 48dB	
Standard Illuminance	2000Lux (3200 "K)	
Video Output	1.0Vpp composite(75Ω)	
Sensitivity	0.0Lux(IRED ON)	
Shutter Speed	1/60 ~ 1/100,000sec	1/50 ~ 1/100,000sec
Wavelength	850nm	
Infrared Luminary	25pieces IRED	
Power Source	DC10V ~ 14V	
Power Consumption	Less than 100mA(250mA: IRED ON)	
Operating Temperature	-10°C ~ 50°C (Humidity : 0%RH ~ 80%RH)	
Storage Temperature	-20°C ~ 60°C (Humidity : 0%RH ~ 85%RH)	



### Caution

RISK OF ELECTRIC SHOCK DO NOT OPEN



CAUTION : TO REDUCE THE RISK OF ELECTRIC SHOCK DO NOT REMOVE THE COVER(OR BACK). NO USER-SERVICEABLE PARTS INSIDE, REFER FOR SERVICE TO QUALIFIED SERVICE PERSONNEL.

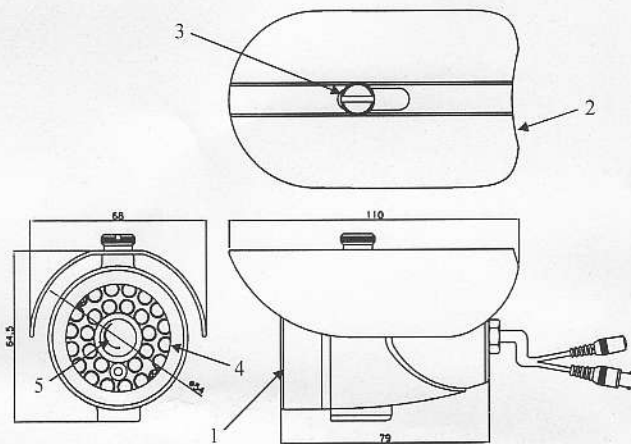


The exclamation point within an equilateral triangle is intended to alert the user to the presence of important operating and maintenance (servicing) instructions in the literature accompanying the appliance.

### WARNING

TO REDUCE THE RISK OF FIRE OR ELECTRIC SHOCK, DO NOT EXPOSE THIS APPLIANCE TO WATER, OR WET LOCATIONS.

## DIMENSIONS & CONNECTION

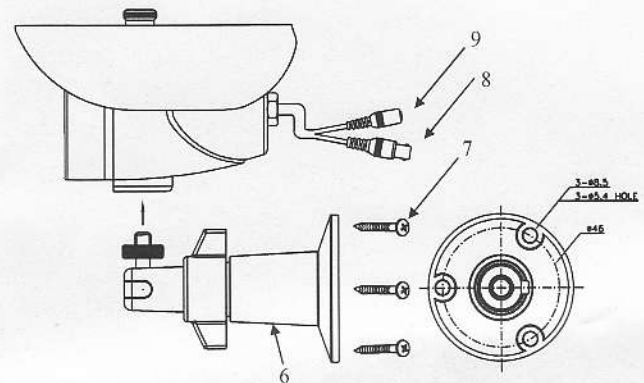


FRONT VIEW

SIDE VIEW

1. CASE
2. SUNSHIELD
3. BOLT, SUNSHIELD MOUNT
4. IRED(25EA)
5. LENS

## DIMENSIONS & CONNECTION



SIDE VIEW

BOTTOM VIEW

6. BRACKET, MOUNT
7. SCREW, MOUNT
8. VIDEO OUTPUT
9. POWER INPUT